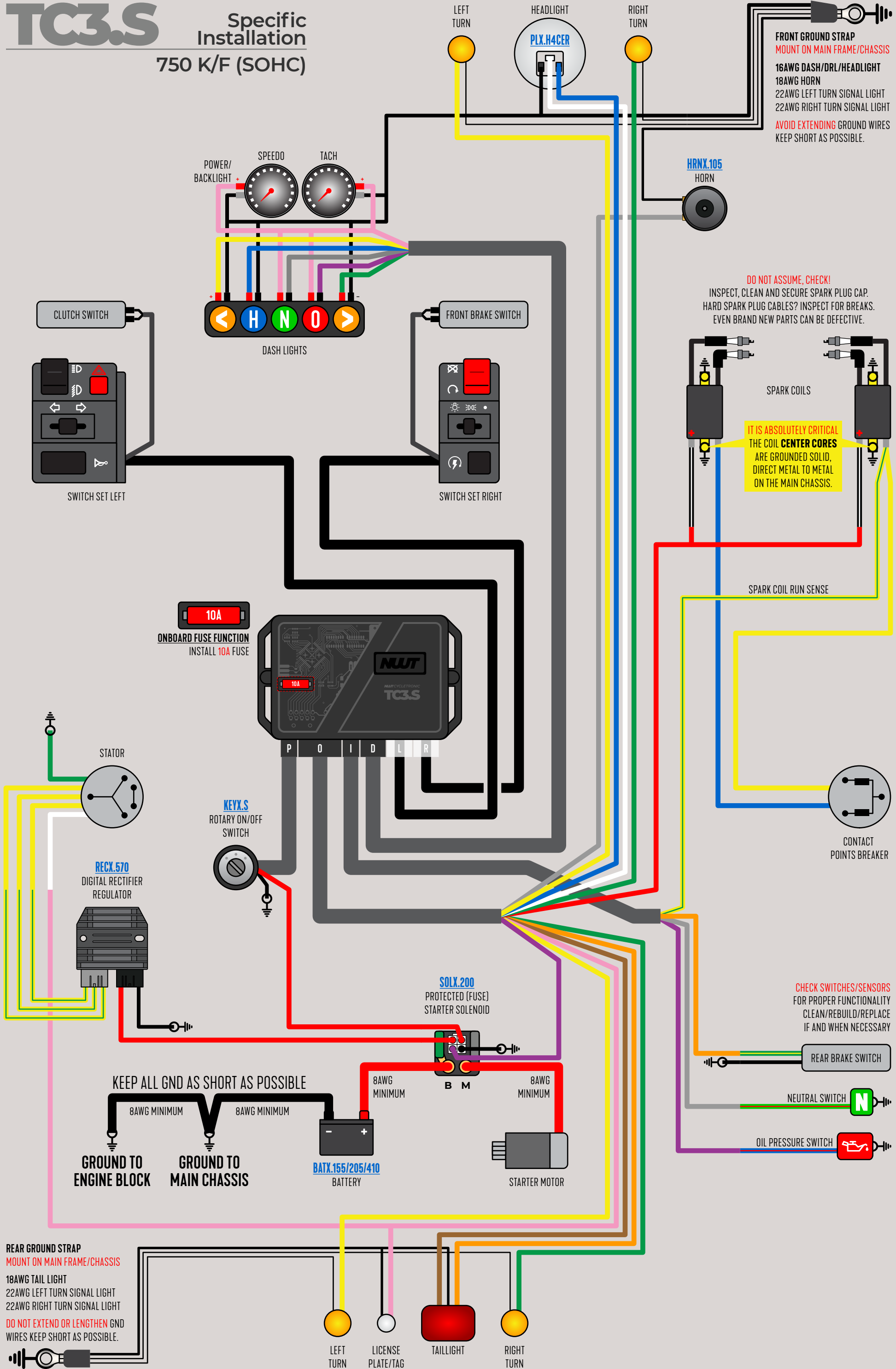


# TC3.S

Specific Installation  
750 K/F (SOHC)



**FRONT GROUND STRAP**  
MOUNT ON MAIN FRAME/CHASSIS  
16AWG DASH/DRL/HEADLIGHT  
18AWG HORN  
22AWG LEFT TURN SIGNAL LIGHT  
22AWG RIGHT TURN SIGNAL LIGHT  
AVOID EXTENDING GROUND WIRES  
KEEP SHORT AS POSSIBLE.

**DO NOT ASSUME, CHECK!**  
INSPECT, CLEAN AND SECURE SPARK PLUG CAP.  
HARD SPARK PLUG CABLES? INSPECT FOR BREAKS.  
EVEN BRAND NEW PARTS CAN BE DEFECTIVE.

**IT IS ABSOLUTELY CRITICAL**  
THE COIL **CENTER CORES**  
ARE GROUNDED SOLID,  
DIRECT METAL TO METAL  
ON THE MAIN CHASSIS.

**CHECK SWITCHES/SENSORS**  
FOR PROPER FUNCTIONALITY  
CLEAN/REBUILD/REPLACE  
IF AND WHEN NECESSARY

**REAR GROUND STRAP**  
MOUNT ON MAIN FRAME/CHASSIS  
18AWG TAIL LIGHT  
22AWG LEFT TURN SIGNAL LIGHT  
22AWG RIGHT TURN SIGNAL LIGHT  
**DO NOT EXTEND OR LENGTHEN GND**  
WIRES KEEP SHORT AS POSSIBLE.