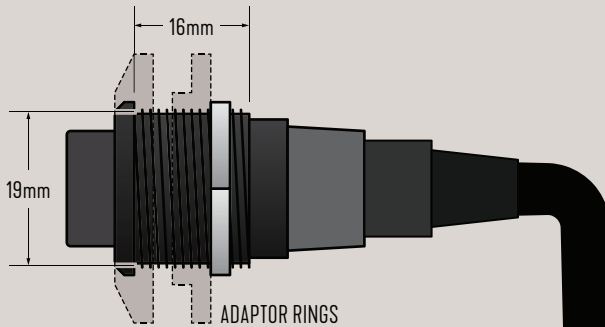
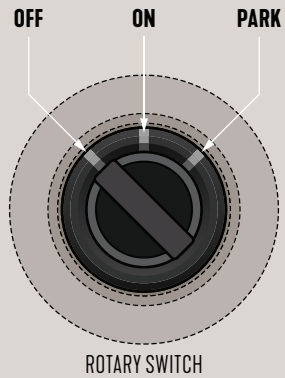


KEYX.R

Wireless Remote Key Switch

40amp capable
Anti hot-wiring
3-position (OFF, ON, PARK)
1.5m plug in harness

Corrosion resistant plastic construction
Direct plugin to TC3/X3 control hubs
1 year replacement warranty



DIRECT PLUG IN TO
TC3 or X3
CONTROL HUBS

