

BATX.205

Lithium Ferro Phosphate Battery

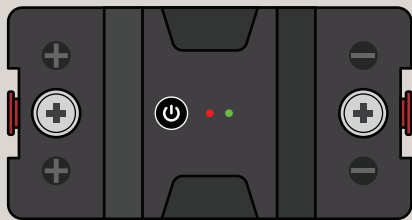
205 cranking amps

9 amp hour

Small size for tight locations in custom builds

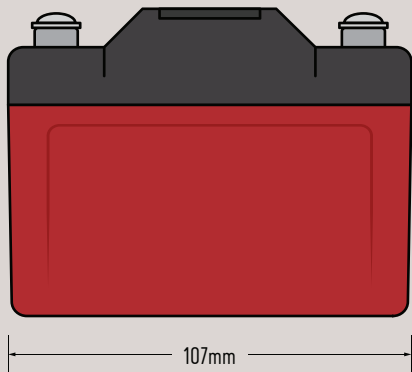
Comes with storage charger, terminal boots & screws, ring terminals

1 year replacement warranty

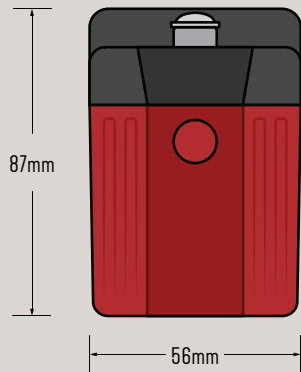


POSITIVE (+)

NEGATIVE (-)



107mm



87mm

56mm

